

... from development to
implementation



Production of materials testing equipment and automation

Self-locking wedge grips

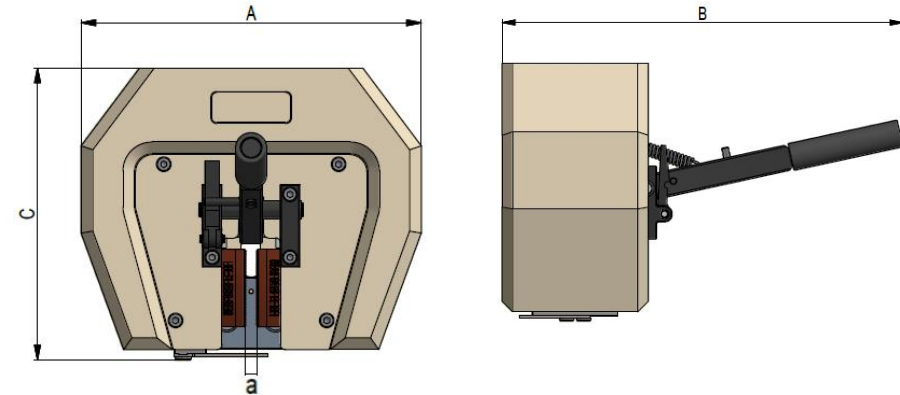


Made in Czech Republic

Self-locking wedge grips

Main features and advantages

- The grips series consists of types according to the following load of 10, 20, 50, 100, 250, 400 and 600 kN.
- Opening and closing the inserts using the lock lever with fixation.
- Robust grips body enables attaching the other grips without disabling them.
- Easy to change inserts by opening the front cover and sliding into the dovetail groove of the holder.
- Practical adjustment of centering of flat samples thanks to mechanical stop and ruler.
- Possibility of opening and closing the grips by remote control, pedals or software.
- Mechanical connection with flange preparation allows for variability of use.



1. L08.20. – Self-locking wedge grips

Technical data						Ordering information	Inserts for grips										
Load	Clampin range	External dimensions			Weight		Pyramid inserts 1.2x45° or transverse grooving					Prismatic inserts with transverse grooving and notches					
Fmax	a	A	B	C		Opening										Dim.	
kN	mm	mm	mm	mm	kg	Signature type	mm										mm
100	0 - 50	280	305	250	60	2.0408022017	0-20	18-38	32-50	/	4-20	20-36	34-50	/	58x58		
250	0 - 55	350	440	290	110	2.0408020017	0-20	18-38	36-55	/	4-20	20-38	38-55	/	80x80		
300/400	0 - 60	420	/	355	/	2.0408023217	0-15	15-30	30-45	45-60	5-20	15-30	30-45	45-60	100x100		
500/600	0 - 60	460	540	366	260	2.0408024317	0-15	15-30	30-45	45-60	5-20	15-30	30-45	45-60	100x100		

Technical product information with Fmax up to 50 kN – on demand

Labor Tech

Production of materials testing equipment and automation

Self-locking wedge grips

... from development to realization

LABORTECH in the world



Contact:

LABORTECH s.r.o.

Rolnická 130a, 747 05 Opava, Czech Republic

Phone: +420 553 731 956, +420 553 668 648

E-mail: info@labortech.cz

Web: www.labortech.cz

GPS: 49°57'05.1"N

17°54'04.4"E

LABORTECH TRADING s.r.o.

Areál VVÚD Praha, Na Florenci 1686/9, 111 71 PRAHA 1, Czech Republic

Phone: +420 731 656 723, +420 724 020 052

E-mail: trading@labortech.cz

Web: www.labortech.eu

Labor Tech

Production of materials testing
equipment and automation

LABORTECH in the
world

... from development to
implementation