

... from development to
implementation



Production of materials testing equipment and automation

Wedge grips
with pneumatic pressure

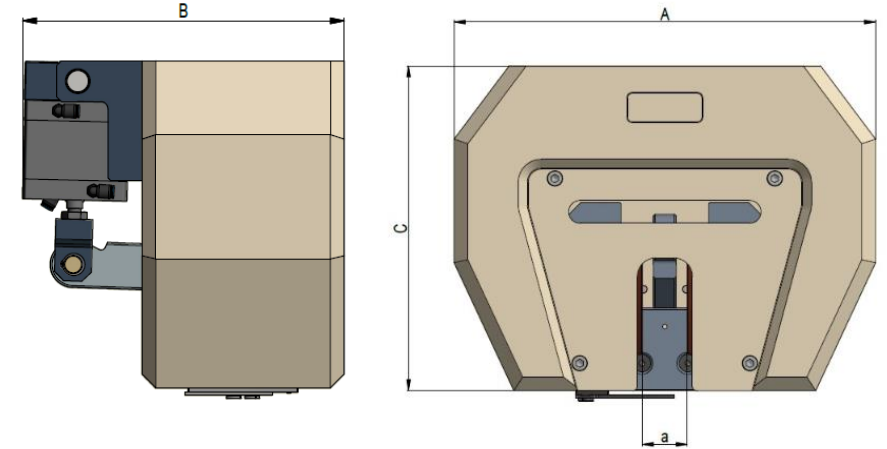


Made in Czech Republic

Wedge grips with pneumatic pressure

Main features and advantages

- The grips series consists of types according to the following load of 100, 250, 400 and 600kN.
- Robust grips body enables attaching the other grips without disabling them.
- Easy to change inserts by opening the front cover and sliding into the dovetail groove of the holder.
- Practical adjustment of centering of flat samples thanks to mechanical stop and ruler.
- Adjustable compression force via valve.
- Possibility of opening and closing the grips by remote control, pedals or software.
- In conjunction with the LABORTECH test software; The zero-force regulation is enabled during clamping of the test specimen.
- Mechanical connection with flange preparation allows for variability of use.



1. L12.20. – Wedge grips with pneumatic pressure

Technical data							Ordering information	Inserts for grips										
Load	Grips pressure	Clampin range	External dimensions			Weight		Pyramid inserts 1.2x45° or transverse grooving					Prizmatic inserts with transverse grooving					
Fmax	max.	a	A	B	C	kg	Signature type	Type / opening										Dim.
kN	kN	mm	mm	mm	mm			mm										mm
100	1,75	0 - 50	280	229	250	60	2.0412021017	0-20	18-38	32-50	/	40-50	4-20	20-36	34-50	/	58x58	
250	3,5	0 - 55	350	285	290	110	2.0412022217	0-20	18-38	36-55	/	/	4-20	20-38	38-55	/	80x80	
300/400	5,5	0 - 60	420	/	355	/	2.0412023417	0-15	15-30	30-45	45-60	/	5-20	15-30	30-45	45-60	100x100	
500/600	9	0 - 60	460	348	366	260	2.0412024517	0-15	15-30	30-45	45-60		5-20	15-30	30-45	45-60	100x100	

Technical product information with Fmax up to 50kN – on demand

Labor Tech

Production of materials testing equipment and automation

Wedge grips with pneumatic pressure

... from development to implementation

LABORTECH in the world



Contact:

LABORTECH s.r.o.

Rolnická 130a, 747 05 Opava, Česká republika

Tel: +420 553 731 956, +420 553 668 648

E-mail: info@labortech.cz

Web: www.labortech.cz

GPS: 49°57'05.1"N

17°54'04.4"E

LABORTECH TRADING s.r.o.

Areál VVÚD Praha, Na Florenci 1686/9, 111 71 PRAHA 1, Česká republika

Tel: +420 731 656 723, +420 724 020 052

E-mail: trading@labortech.cz

Web: www.labortech.eu

Labor Tech

Production of materials testing
equipment and automation

LABORTECH
In the world

... from development to
implementation